

2 MP

3 MP

5 MP

8 MP

Unity H6SL Camera Line

Versatility meets high-performance

The Avigilon Unity H6SL camera line delivers high performance with bullet and dome form factors, making it suitable for indoors and outdoors. It comes equipped with AI-powered video analytics and can capture detailed images in all lighting.



Compliant with NDAA 2019
Section 889



Advanced Search Support

Quickly locates and identifies people and vehicles of interest with Appearance Search and Facial Recognition support, allowing you to streamline the investigation process.

Impact & Weather Protection

Protects against impact, water, windblown dust and a degree of corrosion with IK10, IP66/67 and NEMA Type 4X ratings.¹

H.264 & H.265 HDSM SmartCodec™

Provides significantly improved bandwidth management, so you can achieve maximum image detail in all lighting using less bandwidth.

¹ IK10 rating available on all models; IP66/67 and NEMA 250 Type 4X rating available on outdoor models only.

AI-powered Video Analytics

Detects more objects through expanded object classifications and increased accuracy, allowing for faster responses, even in crowded scenes.

Lens and Microphone Options

Offers long-range lens options for optimal site coverage. Provides the option to add a microphone accessory on the indoor dome variant for greater evidentiary detail.

FIPS 140-3 Cryptography²

Brings increased data security with FIPS-compliant encryption enabled on cameras, an onboard TPM to secure cryptographic keys and Secure Boot.

² FIPS 140-3 L3 is supported by the 8MP models only. Other models support FIPS 140-2 L3.

For more information, visit [avigilon.com/security-cameras/h6sl-bullet](https://www.avigilon.com/security-cameras/h6sl-bullet) or [avigilon.com/security-cameras/h6sl-dome](https://www.avigilon.com/security-cameras/h6sl-dome)



Specifications

Image Performance		2.0 MP	3.0 MP	5.0 MP	8.0 MP (4K Ultra HD)
Image Sensor		1/2.8" progressive scan CMOS			1/1.8" progressive scan CMOS
Imaging Area (H × V)		5.57 mm × 3.13 mm 0.219" × 0.123"	5.18 mm × 3.89 mm 0.204" × 0.153"	7.68 mm x 4.32 mm 0.302" x 0.170"	
Aspect Ratio		16:9	4:3	16:9	
Dynamic Range	WDR Off	83 dB			
	WDR On	126 dB	130 dB		
Camera Operating Mode		Full Feature/No Video Analytics		Full Feature/No Video Analytics/High Framerate	
Max Frame Rate		(50 Hz/60 Hz): 50 fps/60 fps	(50 Hz/60 Hz): 25 fps/30 fps		
Streaming Resolutions ¹	Primary Stream	1920x1080, 1440x1080	2048x1536, 2048x1152, 1792x1344	2592x1944 2240x1680 2560x1440 1920x1080	3840x2160, 3200x1800, 2880x2160, 3072x1728, 2560x1920, 1920x1080
	Secondary Stream	1920x1080, 1440x1080, 1280x960, 1280x720, 960x720, 800x600, 768x432, 640x480, 640x360, 512x288, 384x288, 384x216	1760x1320, 1920x1080, 1600x1200, 1280x960, 1280x720, 960x720, 768x432, 640x480, 640x360, 512x384, 512x288, 384x288, 384x216	1600x1200, 1440x1080, 1920x1080, 1280x960, 1280x720, 800x600, 768x432, 640x480, 640x360, 512x384, 512x288, 384x288, 368x264, 384x216	1920x1440, 1920x1080, 1600x1200, 1280x960, 1280x720, 800x600, 768x432, 640x480, 640x360, 512x384 512x288, 384x288
	Tertiary Stream	640x360, 512x384, 512x288, 384x216	640x480, 640x360, 512x384, 384x288, 384x216	640x360, 512x384, 512x288, 384x288, 368x264, 384x216	640x360, 512x384
Bandwidth Management		HDSM SmartCodec™ technology; Idle scene mode			
3D Noise Reduction Filter		Supported			
Signal-to-Noise Ratio (SNR)		> 50 dB			

¹ Available stream options may vary based on the combination of resolution and frame-rates selected for the individual streams, as well as the camera operating mode.

Lens and IR Illumination (Dome)	2.0 MP	3.0 MP	5.0 MP	8.0 MP(4K Ultra HD)
IR Illumination Max Distance (high power 850 nm LEDs)	30 m (100 ft), full tele 20 m (65 ft), full wide			40 m (131 ft), full tele 25 m (82 ft), full wide
Minimum Illumination (at 33 ms shutter speed)	With IR: 0 lux in monochrome mode Without IR: 0.01 lux in color mode; 0.005 lux in monochrome mode	With IR: 0 lux in monochrome mode Without IR: 0.04 lux in color mode; 0.02 lux in monochrome mode		With IR: 0 lux in monochrome mode Without IR: 0.02 lux in color mode; 0.01 lux in monochrome mode
Horizontal Angle of View	101° - 31°	95° - 28°		103° - 47°
Vertical Angle of View	53° - 17°	69° - 21°		54° - 26°
Max Aperture	F1.6			F1.3
Lens Control	Remote Zoom and Focus, Autofocus, IR Cut Filter			



Lens and IR Illumination (Bullet)		2.0 MP	3.0 MP	5.0 MP	8.0 MP(4K Ultra HD)
IR Illumination Max Distance (high power 850 nm LEDs)	3.4-10.5 mm	50 m (164 ft), full tele 30 m (100 ft), full wide	40 m (131 ft), full tele 20 m (65 ft), full wide		N/A
	10.9-29 mm	N/A	70 m (230 ft), full tele 30 m (100 ft), full wide		N/A
	4.4 - 9.3 mm	N/A			50 m (164 ft), full tele 30 m (100 ft), full wide
Minimum Illumination (at 33 ms shutter speed)	3.4-10.5 mm	With IR: 0 lux in monochrome mode Without IR: 0.01 lux in color mode; 0.005 lux in monochrome mode	With IR: 0 lux in monochrome mode Without IR: 0.04 lux in color mode; 0.02 lux in monochrome mode		N/A
	10.9-29 mm	N/A	With IR: 0 lux in monochrome mode Without IR: 0.04 lux in color mode; 0.02 lux in monochrome mode		N/A
	4.4 - 9.3 mm	N/A			With IR: 0 lux in monochrome mode Without IR: 0.02 lux in color mode; 0.01 lux in monochrome mode
Horizontal Angle of View	3.4-10.5 mm	101° - 31°	95° - 28°		N/A
	10.9-29 mm	N/A	28° - 10°		N/A
	4.4 - 9.3 mm	N/A			103° - 47°
Vertical Angle of View	3.4-10.5 mm	53° - 17°	69° - 21°		N/A
	10.9-29 mm	N/A	21° - 7°		N/A
	4.4 - 9.3 mm	N/A			54° - 26°
Max Aperture	3.4-10.5 mm	F1.6			N/A
	10.9-29 mm	F1.7			N/A
	4.4 - 9.3 mm	N/A			F1.3
Lens Control		Remote Zoom and Focus, Autofocus, IR Cut Filter			
Image Control					
Image Compression Method		H.264 HDSM SmartCodec, H.265 HDSM SmartCodec, Motion JPEG			
Streaming		Multi-stream H.264, Multi-stream H.265, Motion JPEG			
Motion Detection		Pixel motion: Selectable sensitivity and threshold. Classified object detection.			
Electronic Shutter Control		Automatic, Manual (1/7.5 to 1/30000 sec)			
Day/Night Control		Automatic, Manual			
Flicker Control		50 Hz, 60 Hz			



Image Control			
Iris Control	P-Iris		
White Balance	Automatic, Manual		
Backlight Compensation	Adjustable		
Image Rotation	0°,90°, 180°, 270° including Corridor Mode		
Privacy Zones	Up to 64 zones		
Digital Defog	Adjustable/Off		
Network			
Network	100BASE-TX		
Cabling Type	CAT5 or higher		
Network	RJ45 Connector		
ONVIF	ONVIF® compliance Profile S, Profile T, Profile G, and Profile M (www.onvif.org)		
Security	Password protection, HTTPS encryption, digest authentication, WS authentication, user access log, 802.1x port based authentication, CC EAL6+, FIPS 140-2, onboard FIPS 140-2 L3 certified TPM, FIPS 140-3 L3, Secure Boot, signed and encrypted firmware		
Protocols	IPv6, IPv4, HTTP, HTTPS, SOAP, DNS, NTP, RTSP, RTCP, RTP, TCP, UDP, IGMPv3, ICMP, DHCP, Zeroconf, HSTS, QoS, DSCP, FTP		
Streaming Protocols	RTP/UDP, RTP/UDP multicast, RTP/RTSP/TCP, RTP/RTSP/HTTP/TCP, RTP/RTSP/HTTPS/TCP, HTTP, SRTP		
Device Management Protocols	SNMP v2c, SNMP v3		
Peripherals			
Onboard Storage	microSD/microSDHC/microSDXC slot – video speed class card required. Class V10 or better recommended. 1.5 TB card tested.		
USB Port	USB 2.0		
Auxiliary I/O			
Audio Compression Method	G.711 PCM 8 kHz, Opus		
Audio Input/Output	Line level I/O		
External I/O Terminals	Alarm In, Alarm Out		
Microphone (Indoor Dome)	Optional Microphone accessory sold separately for Indoor Dome Camera only		
Mechanical (Dome)			
	Surface Mount	In-Ceiling Mount	Pendant Mount
Dimensions	D 156 mm × H 116 mm; D 6.1" × H 4.6"	D 174 mm × H 165 mm; D 6.9" × H 6.5"	D 156 mm × H 161 mm; D 6.2" × H 6.3"
Weight	0.81 kg	0.80 kg	1.07 kg



Mechanical (Dome)		Surface Mount	In-Ceiling Mount	Pendant Mount
Max. Ceiling Thickness		N/A	25 mm (1.0")	N/A
Dome Bubble	Polycarbonate			
Body	Polycarbonate			
Housing	Polycarbonate			
Finish	Plastic, injection molded, Pantone 427C			
Adjustment Range	360° pan, 30°–95° tilt (recommended), 8°–95° tilt (maximum), ±180° azimuth			
Mechanical (Bullet)		3.4-10.5 mm	10.9-29 mm	4.4 - 9.3 mm
Dimensions (L x W x H)	Camera with junction box	296 mm × 126 mm × 106 mm; 11.7" × 5.0" × 4.2"		
Weight	1.31 kg (1.78 kg with junction box)			
Body	Aluminum			
Housing	Aluminum			
Finish	Powder coat, close to Pantone 427C			
Adjustment Range	±175° pan, ±90° tilt, ±175° azimuth			



Electrical			
Power Source		PoE: IEEE 802.3af Class 3 compliant, 12VDC Aux (Available on Bullet only)	
IR Illuminator Behaviour	Dome	IR illuminator will turn off if the temperature is 60°C (140°F) or higher. The illuminator will operate at 50% power if the temperature is between 40°C (104°F) and 52 °C (117°F). Hysteresis: 2°C (3.6°F).	
	Bullet	IR illuminator will turn off if the temperature is 60°C (140°F) or higher.	
RTC Battery Backup		3V manganese lithium	
PoE	Dome	10 W max (8 W with no IR or IR disabled)	
	Bullet	13 W max	
Memory		1GB RAM, 512MB Flash	
Environmental	Indoor Dome	Outdoor Dome	Bullet
Operating Temperature	-10°C to +60°C (14°F to 140°F)	-40°C to +60°C (-40°F to 140°F)	-40°C to +60°C (-40°F to 140°F)
Storage Temperature	-10°C to +70°C (14°F to 158°F)		
Absolute Maximum Temperature	74°C (165°F) per NEMA TS2 (Temp.) para 2.2.7.2 - 2.2.7.7		
Humidity	0 - 95% condensing		
Certifications	Indoor Dome	Outdoor Dome	Bullet
Certifications/Approvals	UL, cUL, CE, UKCA, ROHS, RCM, NOM, KC, BIS		
Safety	UL/CSA/EN/IEC 62368-1, IEC 62471		
Environmental	IEC/EN 62262 Impact (IK 10), IEC 60529 IP52 rating	IEC/EN 62262 (IK 10), IEC 60529 IP66, IP67 rating, Type 4X, IEC 60068-2-1, IEC 60068-2-2, IEC 60068-2-6, IEC 60068-2-14, IEC 60068-2-27	IEC/EN 62262 (IK 10), IEC 60529 IP66, IP67 rating, Type 4X, IEC 60068-2-1, IEC 60068-2-2, IEC 60068-2-6, IEC 60068-2-14, IEC 60068-2-27
Electromagnetic Emissions	FCC Part 15 Subpart B (Class B), IC ICES-003 (Class B), EN 55032 (Class B), EN 61000-6-3, EN 61000-3-2, EN 61000-3-3		
Electromagnetic Immunity	EN 55035, EN 61000-6-1, EN 50130-4, EN 50121-4		
Warranty	5-year warranty		



Analytics Specifications

Supported Analytics Events

Objects in Area	The event is triggered when the selected object type moves into the region of interest.
Object Loitering	The event is triggered when the selected object type moves into the region of interest and then stays for an extended amount of time.
Objects Crossing Beam	The event is triggered when the specified number of objects have crossed the directional beam that is configured over the camera's field of view. The beam can be unidirectional or bidirectional.
Object Appears or Enters Area	The event is triggered by each object that enters the region of interest. This event can be used to count objects.
Object Not Present in Area	The event is triggered when no objects are present in the region of interest.
Objects Enter Area	The event is triggered when the specified number of objects have entered the region of interest.
Objects Leave Area	The event is triggered when the specified number of objects have left the region of interest.
Object Stops in Area	The event is triggered when an object moves into a region of interest and then stops moving for the specified threshold time.
Object Too Close	The event is triggered when two objects are too close together, based on the specified distance set for the event.
Direction Violated	The event is triggered when an object moves in the prohibited direction of travel.
Tamper Detection	The event is triggered when the scene unexpectedly changes.

Analytic events for vehicle sub-types are not supported on the H6SL camera line.

Supported Classified Object Types

Object Types in Outdoor Mode	Vehicle, sub-types: Car, Truck, Bicycle, Motorcycle, Bus Person
Object Types in Indoor Mode	Person

Teach by Example

Teach By Example	Yes, when used with Avigilon Control Center™ or Avigilon Unity Video
------------------	--

Avigilon Control Center (ACC) Versions Supported Features

ACC Enterprise Edition Version 6.14.12 or higher	All supported analytic events with two types of classified objects: person or vehicle ¹ . Appearance search when paired with appropriate server hardware. Unusual Activity Detection. H.265 supported. Audio analytics. Crowd analytics.
ACC Enterprise Edition Version 7.2 or higher	All supported analytic events with people and vehicles and all vehicle sub-types as classified objects ² . Appearance search when paired with appropriate server hardware. Unusual Activity Detection. H.265 supported.

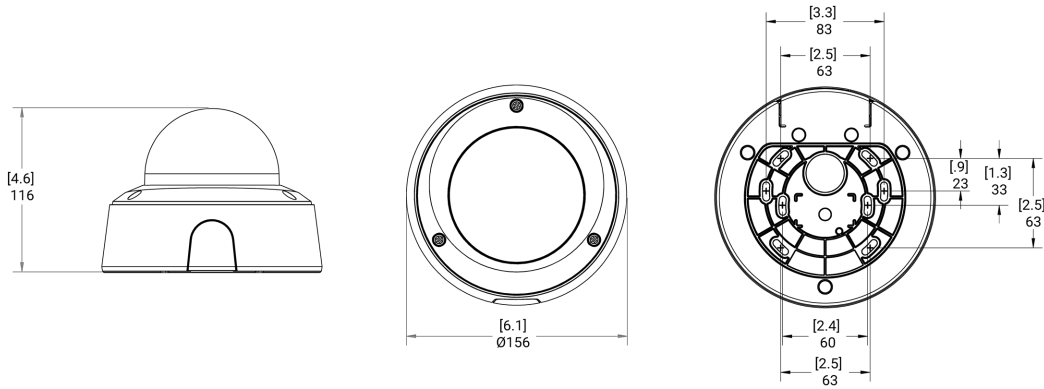
Analytics capabilities, including detection range, may vary by camera line. Consult the Avigilon Self-Learning Video Analytics Design Guide for details specific to the H6SL Camera Line.



Outline Dimensions

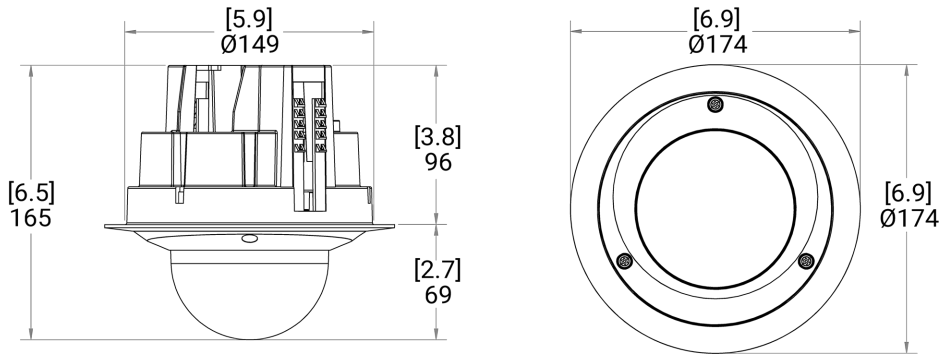
H6SL Dome Camera with Surface Mount

[X.X]	INCHES
X.X	MM



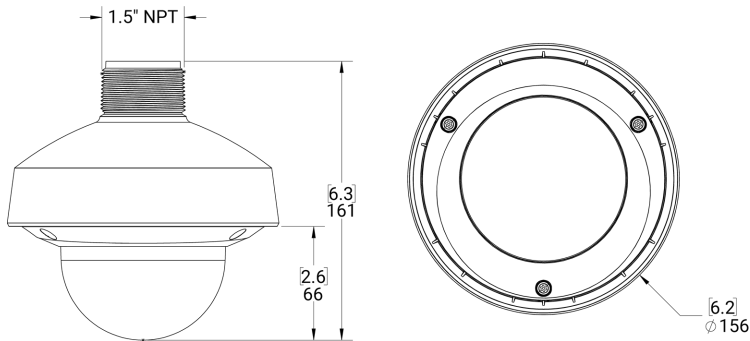
H6SL Dome Camera with In-Ceiling Mount (SLSPCIL-1001)

[X.X]	INCHES
X.X	MM



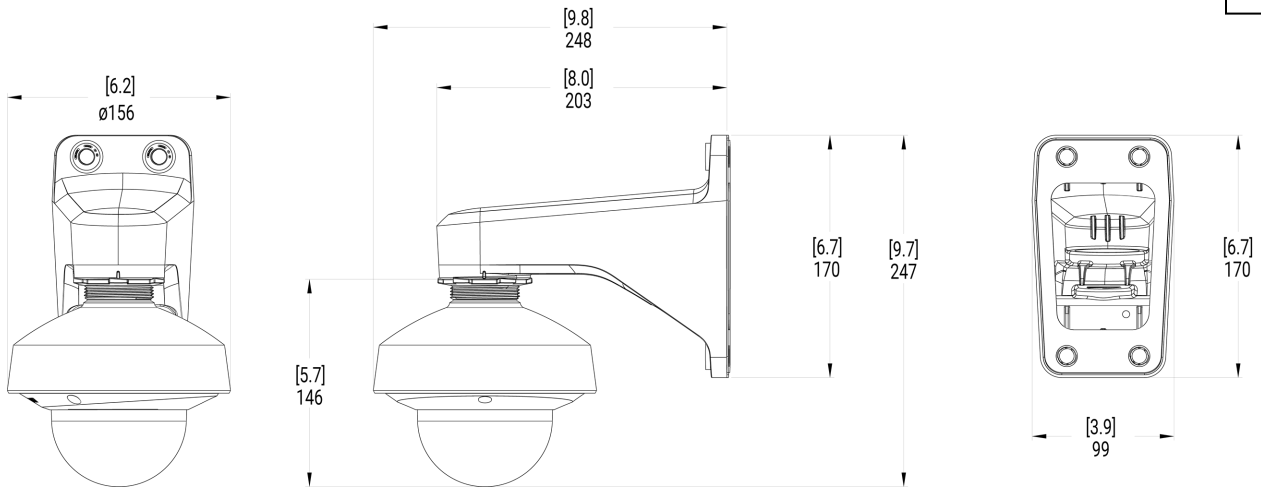
H6SL Dome Camera with NPT Adapter (H6SL-MT-NPTA1)

[X.X]	INCHES
X.X	MM



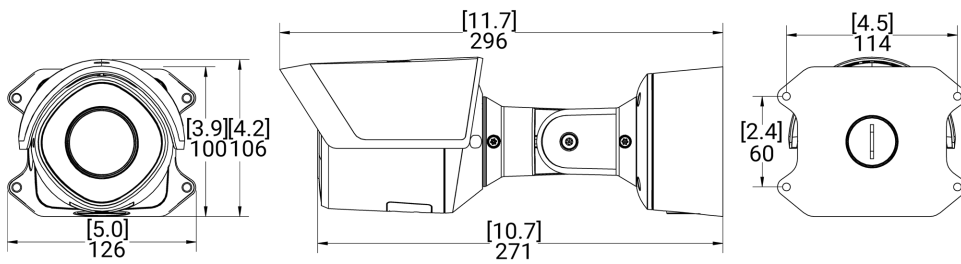
H6SL Dome with NPT Adapter (H6SL-MT-NPTA1) & Pendant Wall Mount (WLMT-1021)

[X.X]	INCHES
X.X	MM



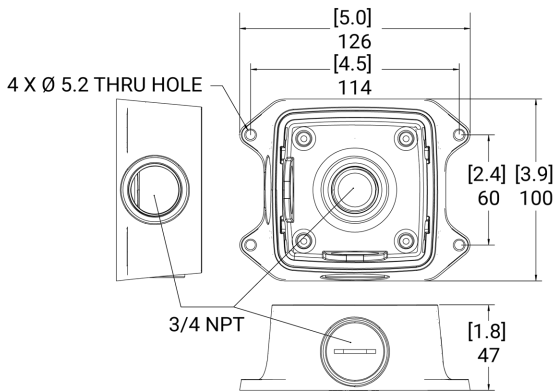
H6SL Bullet Camera

[X.X]	INCHES
X.X	MM



H6SL Bullet Junction Box

[X.X]	INCHES
X.X	MM



Ordering Information

Models	MP	WDR	Analytics	Lens	IR	IP66/IP67, Type4x	SmartCodec	LIGHTCATCHER™ Technology
2.0C-H6SL-B01-IR	2.0	✓	✓	3.4-10.5 mm	✓	✓	✓	✓
3.0C-H6SL-B01-IR	3.0	✓	✓	3.4-10.5 mm	✓	✓	✓	✓
3.0C-H6SL-B02-IR	3.0	✓	✓	10.9-29 mm	✓	✓	✓	✓
5.0C-H6SL-B01-IR	5.0	✓	✓	3.4-10.5 mm	✓	✓	✓	✓
5.0C-H6SL-B02-IR	5.0	✓	✓	10.9-29 mm	✓	✓	✓	✓
8.0C-H6SL-B01-IR-B	8.0	✓	✓	4.4-9.3 mm	✓	✓	✓	✓

Models	MP	WDR	Analytics	Lens	IR	IP66/IP67, Type4x	SmartCodec	LIGHTCATCHER™ Technology
2.0C-H6SL-D1	2.0	✓	✓	3.4-10.5 mm			✓	✓
2.0C-H6SL-D1-IR	2.0	✓	✓	3.4-10.5 mm	✓		✓	✓
2.0C-H6SL-D01-IR	2.0	✓	✓	3.4-10.5 mm	✓	✓	✓	✓
3.0C-H6SL-D1	3.0	✓	✓	3.4-10.5 mm			✓	✓
3.0C-H6SL-D1-IR	3.0	✓	✓	3.4-10.5 mm	✓		✓	✓
3.0C-H6SL-D01-IR	3.0	✓	✓	3.4-10.5 mm	✓	✓	✓	✓
5.0C-H6SL-D1	5.0	✓	✓	3.4-10.5 mm			✓	✓
5.0C-H6SL-D1-IR	5.0	✓	✓	3.4-10.5 mm	✓		✓	✓
5.0C-H6SL-D01-IR	5.0	✓	✓	3.4-10.5 mm	✓	✓	✓	✓
8.0C-H6SL-D01-IR-B	8.0	✓	✓	4.4-9.3 mm	✓	✓	✓	✓



Accessory Part Numbers

WLMT-1021	Wall Mount Arm for 1.5" NPT Pendant
PLMT-1001	Pole Mount Adapter for WLMT-1021 and H6SL Bullet Camera
CRNMT-1001	Corner Mount for WLMT-1021 and H6SL Bullet Camera
USB-AC56-NA-MSI	USB WiFi Adapter Install Kit (North America)
USB-AC56-EU-MSI	USB WiFi Adapter Install Kit (Europe)
SLSPCIL-1001	In-ceiling mounting adapter for H6SL Dome Camera
H6SL-MT-NPTA1	Pendant NPT adapter for H6SL Dome Camera
DCLPNL-1001	Metal ceiling panel for suspended ceiling installations
H6SL-DO-SHLD1	Weathershield for H6SL Dome Camera
ACMICR-1001	Microphone accessory for Indoor H6SL Dome Camera
H6SL-DD-CLER1	Clear lower dome for H6SL Outdoor Dome Camera
H6SL-DD-SMOK1	Smoked lower dome for H6SL Outdoor Dome Camera
H6SL-DI-CLER1	Clear lower dome for H6SL Indoor Dome Camera
H6SL-DI-SMOK1	Smoked lower dome for H6SL Indoor Dome Camera
CNCVR-1001	Adapter 3/4 inch conduit for H6SL Dome Camera, 5-pack



Support

For product support, visit: [avigilon.com](https://www.avigilon.com) or sales@avigilon.com.

To learn more, visit: www.avigilon.com



AVIGILON™

Motorola Solutions, Inc. 500 West Monroe Street, Chicago, IL 60661 U.S.A. [motorolasolutions.com](https://www.motorolasolutions.com)

© 2026, Avigilon Corporation. All rights reserved. MOTOROLA, MOTO, MOTOROLA SOLUTIONS and the Stylized M Logo are trademarks or registered trademarks of Motorola Trademark Holdings, LLC and are used under license. All other trademarks are the property of their respective owners.

20260417-en Rev 16