



X↔ BAND AIR

Avionic Crossband Repeater



BRIDGING THE GAP BETWEEN AIR AND LAND

Flexible Crossband Communications

Communication just got easier with the X-Band Air repeater. Icom's avionic crossband repeater provides seamless inter-band communications between VHF or UHF frequencies and air band frequencies. This provides interoperability between ground crew and air crew for forestry, hospitals and oil rigs. The repeater features full VFO capability in one box.

Powerful Crossband Capability

- Versions: AIR BAND + VHF, AIR BAND + UHF (400-470MHz), AIR BAND + UHF (450-512MHz),
- Output Power: 50 Watts VHF; 45 Watts UHF; 36 Watts Peak AIR BAND
- Local controlled operation; can also be used as a dual base unit (with optional mic)

Maximum Frequency Flexibility— Alpha Tag Your Channels

- VHF & UHF:
128 Memory channels with 8 memory banks per radio
8-Character alphanumeric display / easy to read
- AIR BAND:
200 memory channels w/ 12 character channel names
Easy to read alphanumeric characters and icons

Battery Backup

- AC to DC Auto Select, 220/110/12V Capable
- Power failure? Not a problem.
The X-Band 50 is configured to auto switch from AC to DC (Batteries not included)

Compact Size

- Set the X-Band Air on a desktop, or mount in a 19" industry standard rack



A clean rear panel design allows for easy setup and operation. An options connector allows for customized applications such as Interconnect, CWID, and more. A standard PC-type power cord plugs into a 110V outlet.



AVIONIC CROSSBAND REPEATER

X↔BAND AIR

ADDITIONAL FEATURES

- Automatic battery backup charging system
- Internal controller with programmable Hang Timer
- Can be used as a dual base unit
- DB25 accessory connector with EPTT, COR, DISC, EMOD and AFO for each radio
- Built-in AC EMI filter

SPECIFICATIONS

GENERAL

•Frequency coverage	: VHF	136-174MHz
	: UHF	440-490MHz
	: AIR	118.0-136.99166MHz
•Number of channels	: 128 channels/8 banks per side	
	: AIR: 200 channels	
•Channel spacing	: 12.5/25kHz, 15/30kHz	
•PLL channel step	: VHF	2.5, 3.125kHz
	: UHF	5, 6.25kHz
•Frequency stability	: VHF	±5.0 ppm
	: UHF	±2.5 ppm
•Operating temp. range	: -30°C to +60°C; -22°F to +140°F	
•Power supply voltage	: 13.6 V DC	
•Current drain (approx.)	: Tx VHF (50W)	14 A
	: UHF (45W)	13A
	: Rx max. Audio	1200mA
	: stand-by	300mA
•Antenna impedance	: 50Ω (SO-239)	
•Dimensions (WxHxD)	: 482.6 x 127 x 393.7mm	
	: 19" x 5" x 15.5"	
•Weight	: 8.6kg; 19 lbs	

OPTIONS



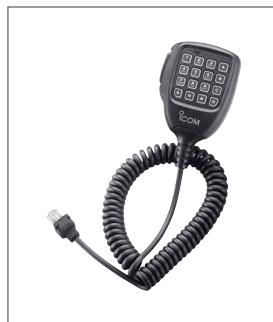
HM 216 DTMF MICROPHONE
Land Mobile microphone.



HM 217 HAND MICROPHONE
Avionic microphone.



SM-25 DESKTOP MICROPHONE
Convenient for dispatching, equipped with monitor switch. Avionic microphone.



HM 152T HAND MICROPHONE
Avionic microphone.

SUPPLIED ACCESSORIES

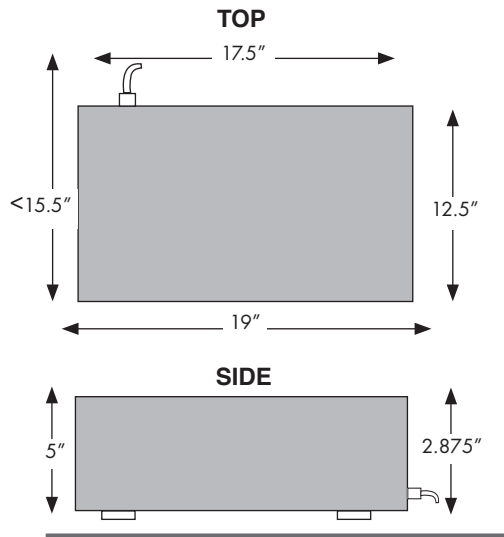
- AC Power Cord
- DC Power Cord

TRANSMITTER

•Output power	: VHF	50W
	: UHF	45W
	: AIR	9W (Carrier power) typical
•Max. frequency deviation	: ±5.0/±2.5 kHz (wide/narrow)	
•Spurious emission	: 70 dB typ.	
	: AIR - Less than -60 dBc	
•Adjacent Ch. power	: 70/60dB (wide/narrow)	
•Mic. impedance	: 600Ω (8-pin modular)	

RECEIVER

•Sensitivity	: 0.25 μV typ. (at 12dB SINAD)
	: AIR: <1 μV typ.
•Squelch sensitivity	: 0.25 μV typ.
	: AIR: < 0.35 μV (pd)
•Adjacent ch. selectivity	: 75/65dB typ. (wide/narrow)
•Spurious response	: 75dB
	: AIR: > 5 mV (pd)
•Intermodulation (typical)	: VHF 74dB typ.
	: UHF 75dB typ.
•Audio output power	: 4W typical at 10% distortion with a 4Ω load
•External SP connector	: 2-conductor 3.5 (d) mm (1/8")/4Ω



Contact Icom America for more information:

Icom America Inc.
12421 Willows Road NE
Kirkland WA 98034

800-872-4266

systems@icomamerica.com

www.icomamerica.com

GSA contract #GS-35F-0109L

